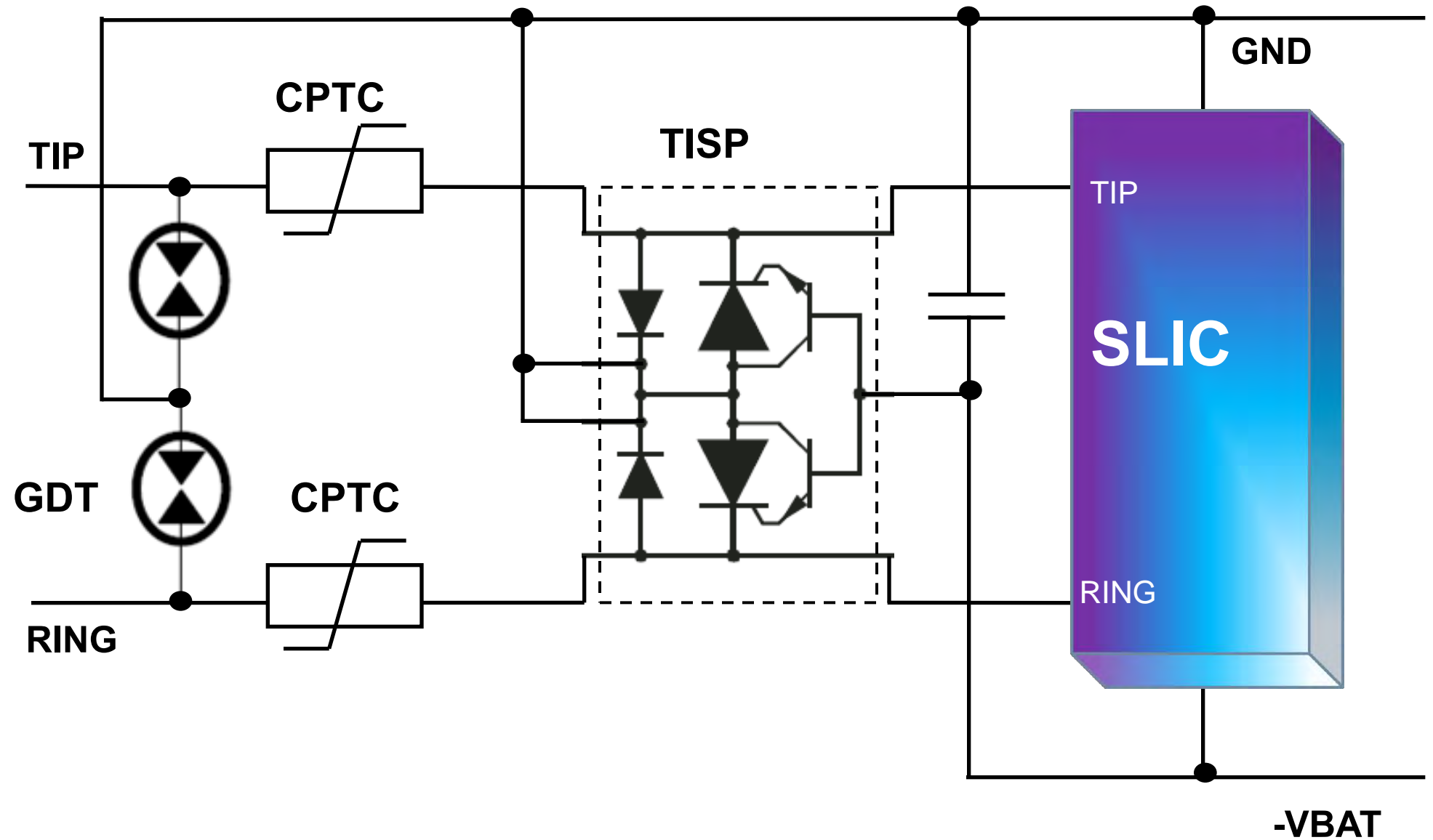


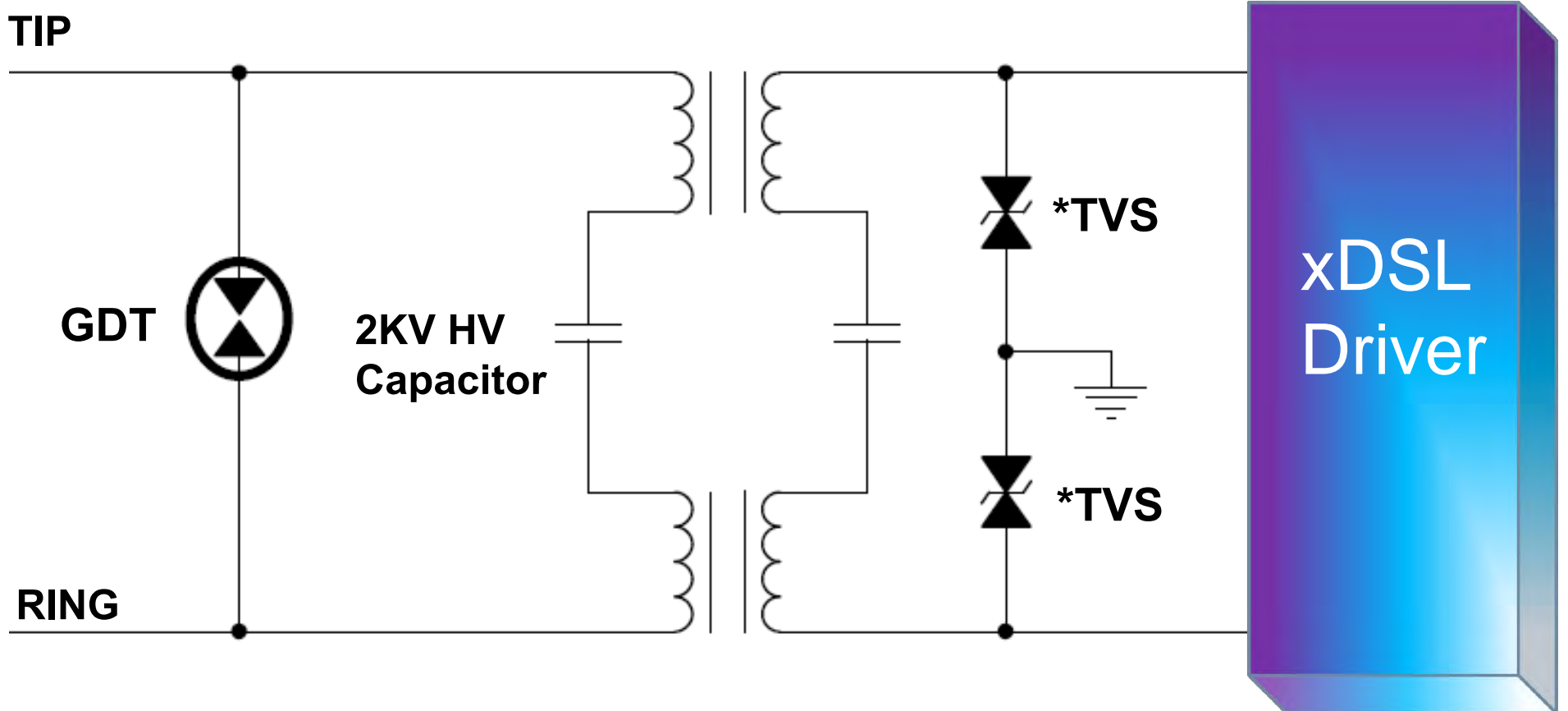
## Protection Level: L – G : 6KV



**GDT: NA471X**



## Protection Level: L – G : 6KV



**GDT: NA471X**

**\*TVS: PDYL050B-SOD323**

Please reference your working voltage.