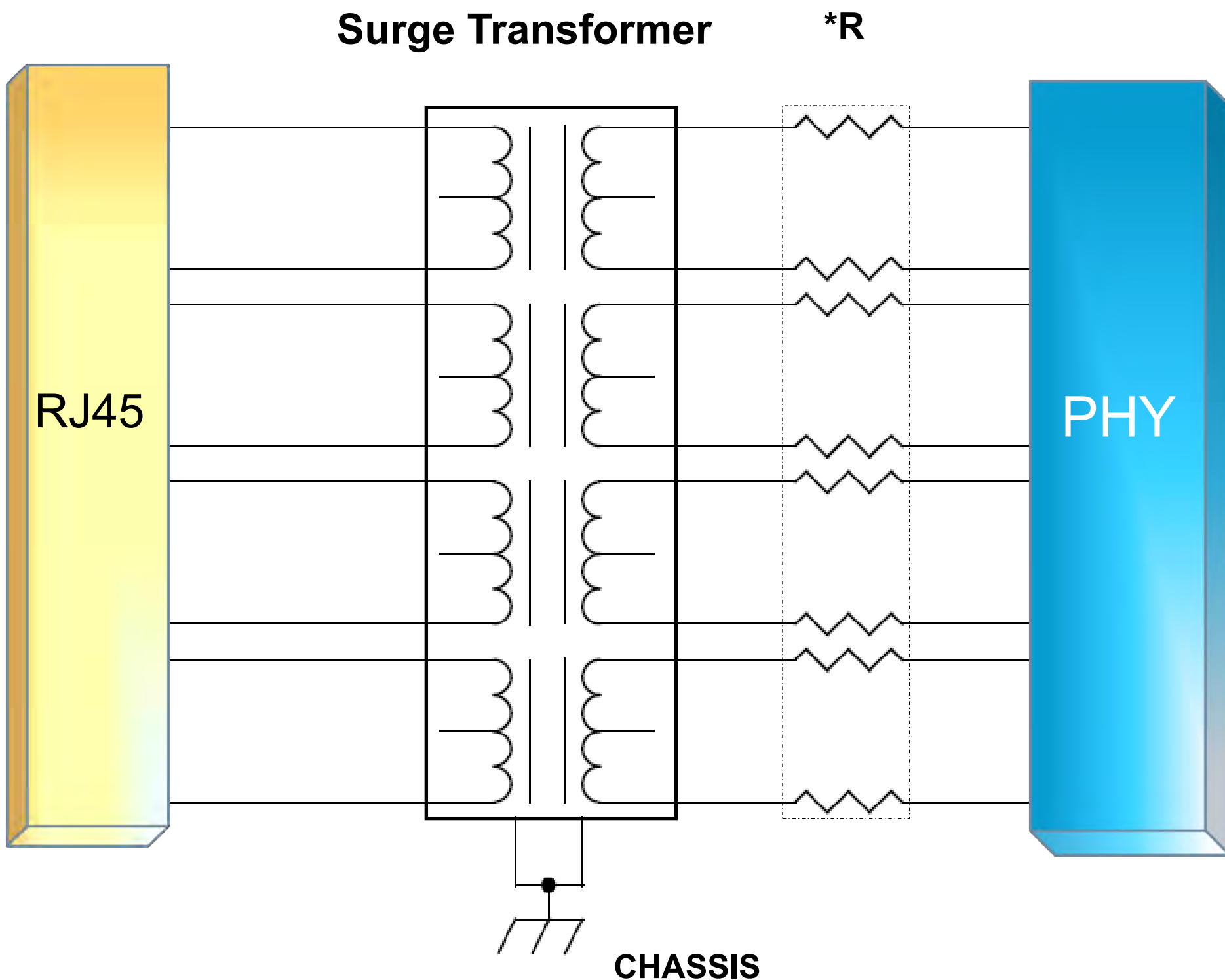


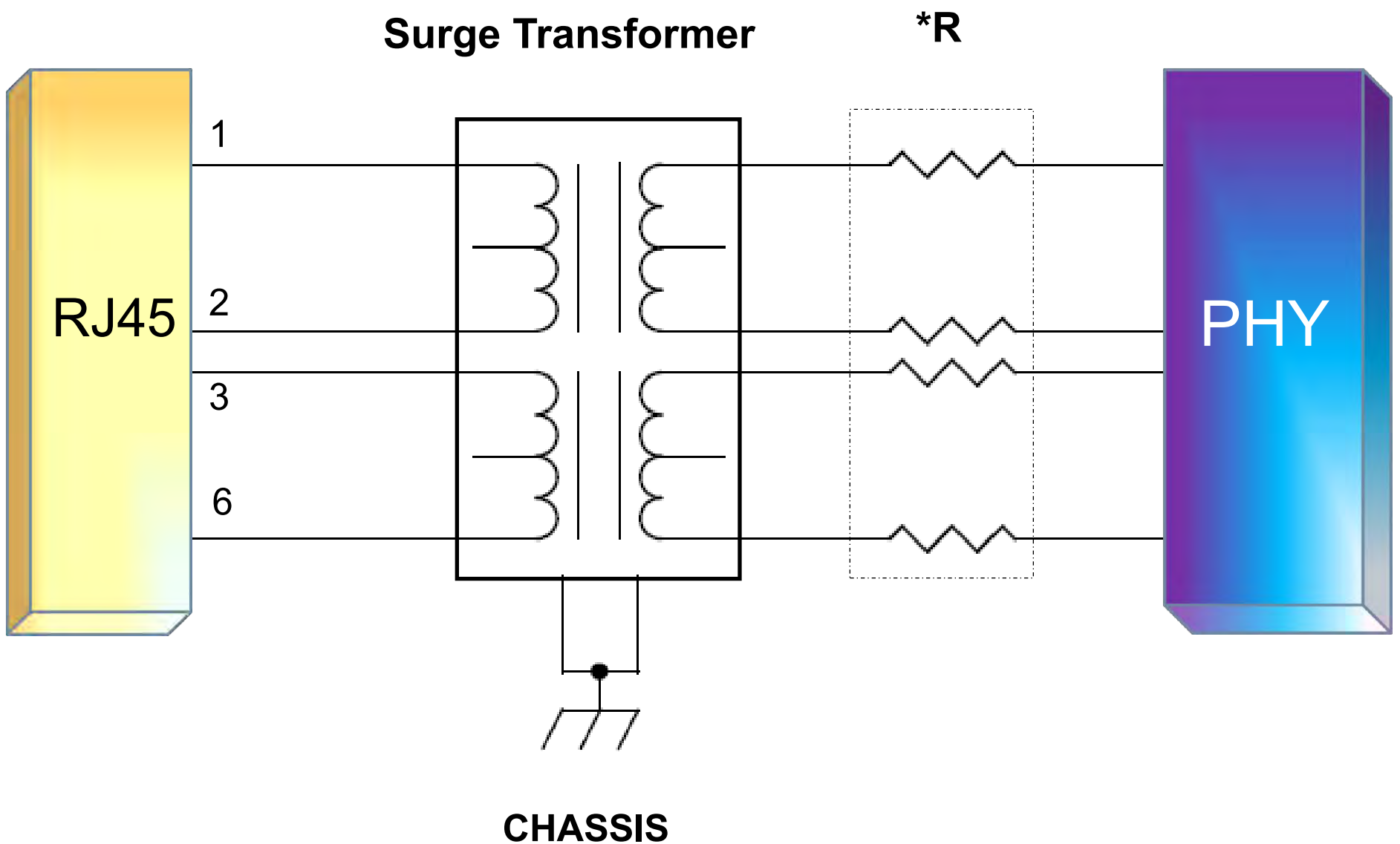
## Protection Level: L – L 2KV / L – G 6KV



Surge Transformer: WDST06PGS  
WDST06HGS

\*All of resistors R are 2.2Ω

## Protection Level: L – L 2KV / L – G 6KV



Surge Transformer:WDST06PMS

\*All of resistors R are  $2.2\Omega$